

Wastewater Pumps

DanPumps S-WP1 - 50 Hz

Product Applications

The DanPumps S-WP1 pump is designed for wastewater applications especially for water with large content of solids or fibrous media.

Design

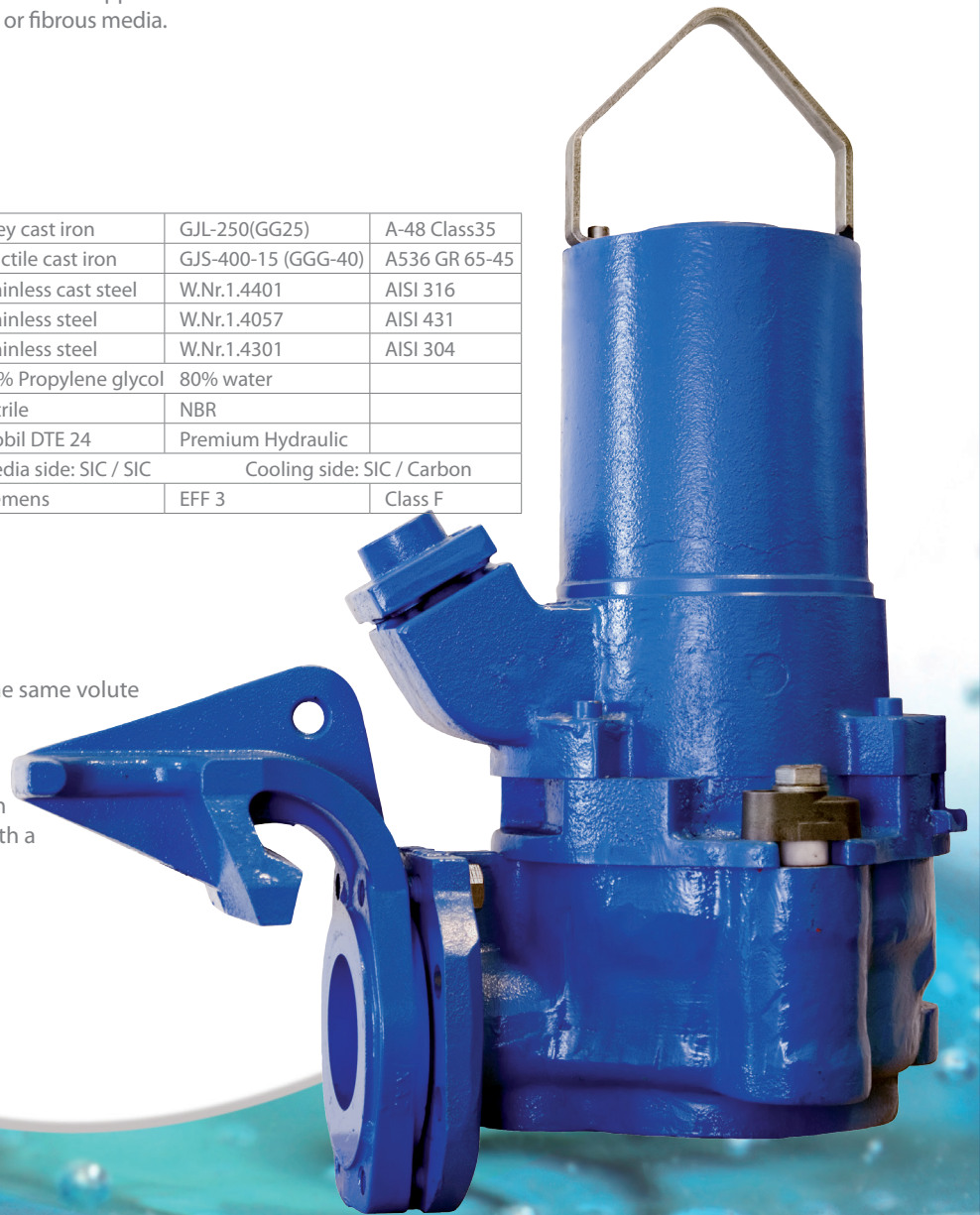
Rugged construction and proven reliability.

Materials

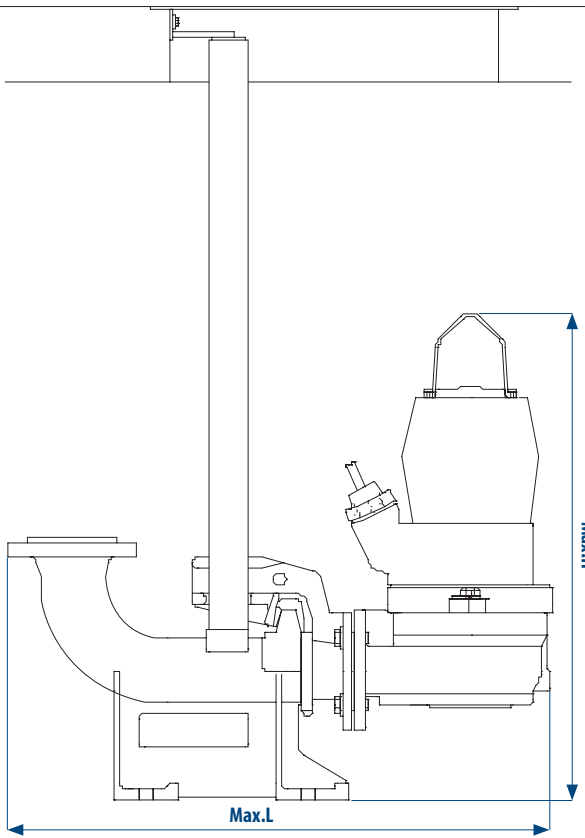
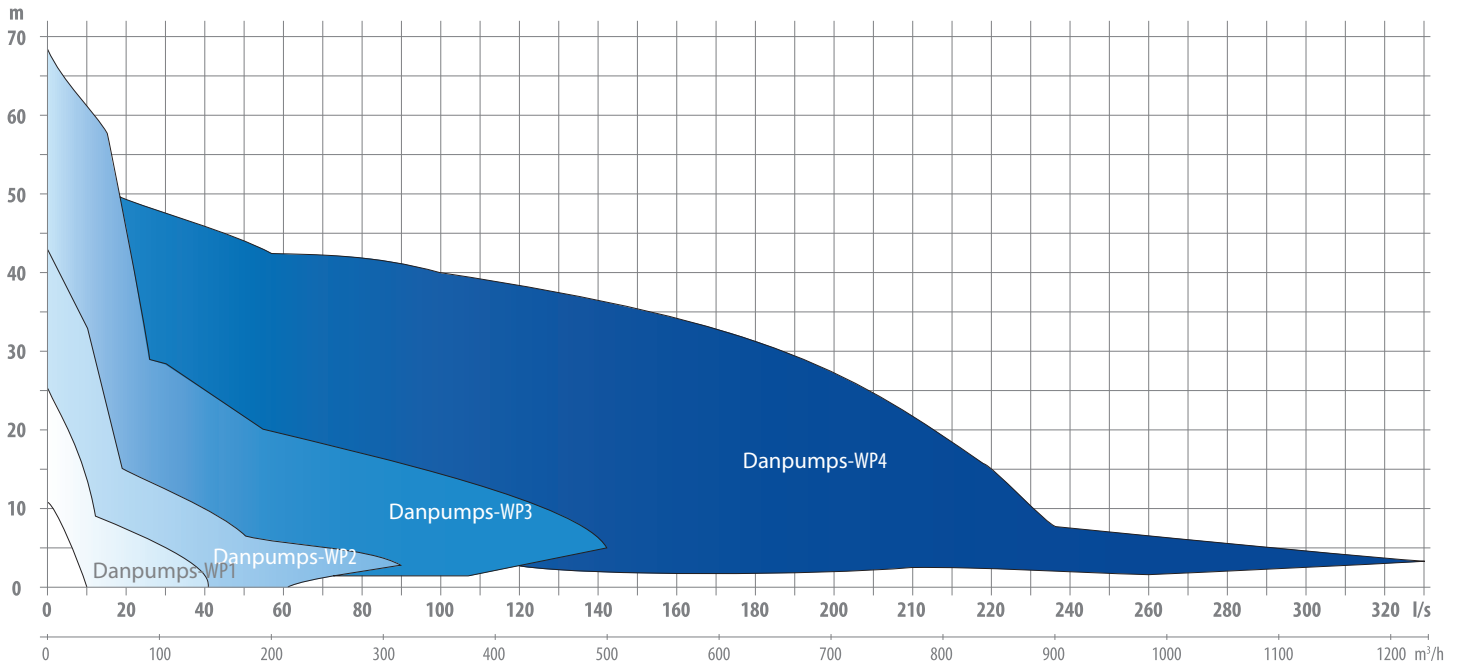
Pump Housing, base elbow, cartridge seal	Grey cast iron	GJL-250(GG25)	A-48 Class35
Impeller (cast iron) adapter	Ductile cast iron	GJS-400-15 (GGG-40)	A536 GR 65-45
Option: Stainless steel impeller	Stainless cast steel	W.Nr.1.4401	AISI 316
Shaft	Stainless steel	W.Nr.1.4057	AISI 431
Seal sleeve, screws	Stainless steel	W.Nr.1.4301	AISI 304
Coolant	20% Propylene glycol	80% water	
O-rings	Nitrile	NBR	
Oil	Mobil DTE 24	Premium Hydraulic	
Mechanical seal	Media side: SIC / SIC	Cooling side: SIC / Carbon	
Motor	Siemens	EFF 3	Class F

Operation standards

- Connections up to DN80
- Flow Rate up to 150 m³/h
- Overheating and moisture protection
- Channel, vortex and B-tween impellers in the same volute
- Double mechanical cartridge seal
- High-efficient motors
- Long lifetime due to accurate balancing
- Customized solutions and a modular system
- All DanPumps S-WP pumps can be fitted with a closed cooling jacket
- Easy maintenance
- Adjustable wear ring

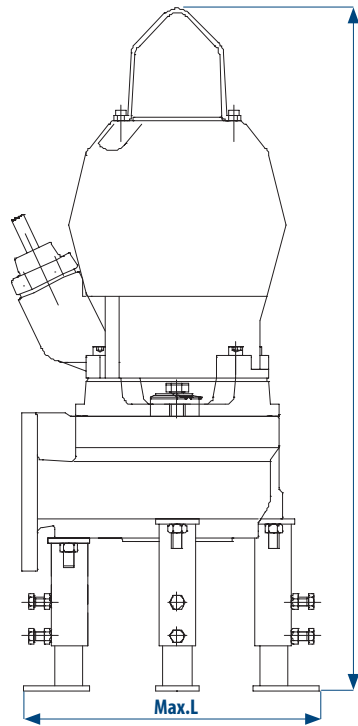


Performance Curves - Complete Danpumps-WP1 to Danpumps-WP4 Range - 50 Hz

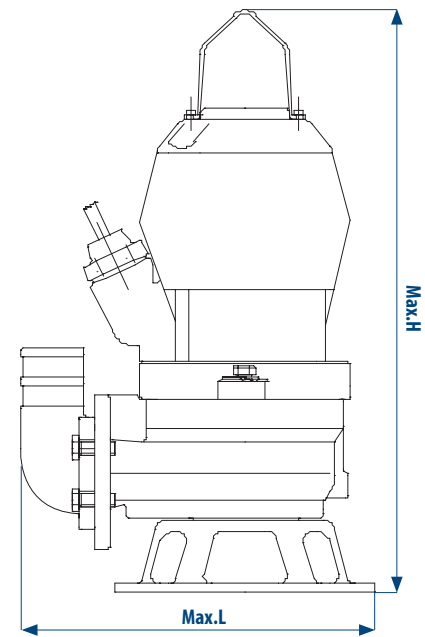


DanPumps S-WP1 - Wet Pit Installation

* Please note that cooling jacket is an optional choice.



DanPumps S-WP1 - Dry Pit Installation



DanPumps S-WP1 - Portable Installation

Type	kW P2	Rpm	Inlet in mm	Outlet flange
S-WP1-70-2	3,5	2890	70	DN80
S-WP1-80-4	2,5	1420	80	DN100

Type	Installation	Max. Height	Max. Width	Max. Length
S-WP1-70	Wet Pit	755	284	842
	Dry Pit	944	328	344
	Portable	697	328	423
S-WP1-80	Wet Pit	725	307	870
	Dry Pit	974	315	441
	Portable	714	315	530

All dimensions are in mm.



DanPumps A/S
 Nordager 25
 DK-6000 Kolding
 Denmark

Tel. +45 8657 1344
 info@danpumps.dk
 www.danpumps.dk